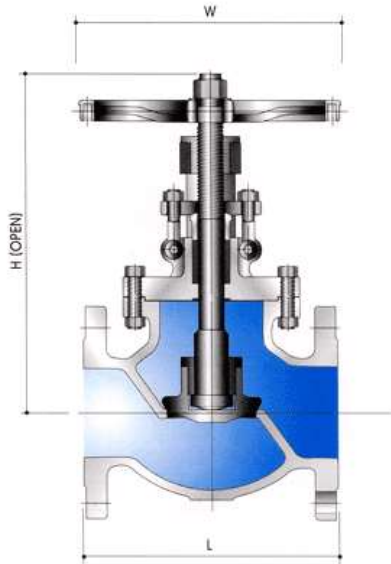


SW SERIES GLOBE VALVE



B, B-OS & Y

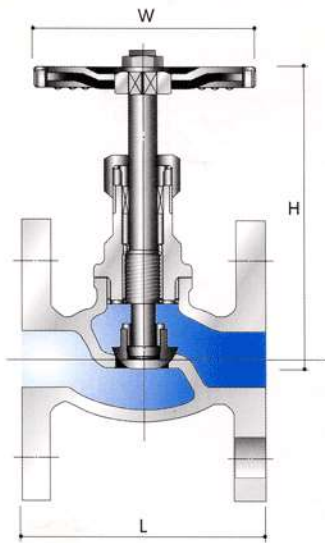


PARTS OF MATERIAL

Parts Name	VALVE MATERIAL (ANSI)				Parts Name	VALVE MATERIAL (ANSI)
Body	A351 Gr CF8	A351 Gr CF8M	A351 Gr CF3	A351 Gr CF3M	Gland Pin	A276 Type 304
Bonnet	A351 Gr CF8	A351 Gr CF8M	A351 Gr CF3	A351 Gr CF3M	Hand Wheel	A126 Gr CLB
Disc	A351 Gr CF8	A351 Gr CF8M	A351 Gr CF3	A351 Gr CF3M	Wheel Nut	A307 Gr B
Stem	A276 Type 304	A276 Type 316	A276 Type 304L	A276 Type 316L	Packing	BRAIDED PTFE FIBER
Yoke Slleve	A439 Gr D-2C				Gasket	NON-ASBESTOS OR PTFE SHEET
Packing Grand	A351 Gr CF8				Name Plate	ALP
Gland Ring	A276 Type 304	A276 Type 316	A276 Type 304L	A276 Type 316L	Face To Face	ANSI B 16.10
Bonnet Bolt	A194 Gr B8				Flange Dimension	ANSI B 16.5
Bonnet Nut	A194 Gr 8				Basic Design	API 600, ANSI 16.34
Gland Bolt	A276 Type 304				TEST	API 598
Grand Nut	A194 Gr 8					

Parts Name	VALVE MATERIAL (KS)				Parts Name	VALVE MATERIAL (KS)
Body	SSC 13	SSC 14	SSC 19	SSC 16	Gland Pin	STS 304
Bonnet	SSC 13	SSC 14	SSC 19	SSC 16	Hand Wheel	GC 25
Disc	SSC 13	SSC 14	SSC 19	SSC 16	Wheel Nut	SM 20C
Stem	STS 340	STS 316	STS 304L	STS 316L	Packing	BRAIDED PTFE FIBER
Yoke Slleve	GCD 45 OR HBSC 2				Gasket	NON-ASBESTOS OR PTFE SHEET
Packing Grand	SSC 13				Name Plate	ALP
Gland Ring	STS 304	STS 316	STS 304L	STS 316L	Face To Face	KS B2306
Bonnet Bolt	STS 304				Flange Dimension	KS B1511
Bonnet Nut	STS 304				Basic Design	KS B2361
Gland Bolt	STS 304				TEST	KS B2304
Grand Nut	STS 304					

Screw Bonnet



○ PARTS OF MATERIAL

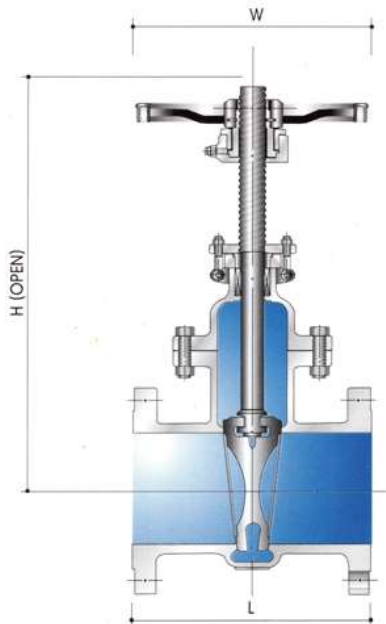
Description	Material	Specs.
Body	Stainless Steel	SCS 13, 14/CF8, 8M
Bonnet	Stainless Steel	SCS 13, 14/CF8, 8M
Stem	Stainless Steel	304/316
Disc	Stainless Steel	304/316
Gland	Stainless Steel	304/316
Lock Nut	Stainless Steel	304/316
Gland Packing	PTFE Impregnated asbestos	
Packing Nut	Stainless Steel	CF8 or 304
Hand Wheel		FCD 40
Gasket		PTFE
Name Plate	Aluminum	

○ DIMENSION

SIZE	15	20	25	32	40	50	단위(mm)
L	87	96	114	129	136	158	
H	120	130	145	155	180	190	
W	80	80	100	125	140	140	

Gate 600 LB

○ PARTS OF MATERIAL



PARTS NAME	MATERIAL
BODY	SCS13.14/CF8.8M
BONNET	SCS13.14/CF8.8M
STEM	STS304/316
DISC	SCS13.14/CF8.8M
GLAND	304.316
GLAND FLANGE	SCS13.14/CF8.8M
GLAND PACKING	TEFLON/GRAPHITE
GASKET	TEFLON/GRAPHITE
YOKE SLSLEEVE	BRONZE.FCD
YOKE	SCS13.14/CF8.8M
HANDWHEEL	FCD
GLAND BOLT/NUT	STS304
BONNET BOLT/NUT	STS304
GRASE NIPPLE	BC6
NAME PLATE	AL

○ DIMENSION

Class 600

(Weigh on Request)

SIZE	mm	15	20	25	40	50	65	80	100	125	150	200	250	300	350	400	450	500	600
	inch	1/2	3/4	1	1 1/2	2	2 1/2	3	4	5	6	8	10	12	14	16	18	20	24
L	mm	165	190	216	241	292	330	356	432	508	559	660	787	838	889	991	1092	1194	1397
	inch	6 1/2	7 1/2	8 1/2	9 1/2	11 1/2	13	14	17	20	22	26	31	33	35	39	43	47	55
H (Open)	mm	225	238	347	373	419	457	511	635	756	958	1078	1241	1440	1628	1805	1984	2030	2718
	inch	9.18	9.71	14.16	15.22	16.50	17.99	20.12	25.00	29.76	37.72	42.44	48.86	56.69	60.09	71.06	78.11	79.92	107.00
W	mm	120	120	180	180	200	224	250	355	400	450	500	630	710	800	900	1092	1092	1296
	inch	4.72	4.72	7.09	7.09	7.87	8.82	9.84	13.98	15.75	17.72	19.68	24.80	27.95	31.50	35.43	42.99	42.99	51.02