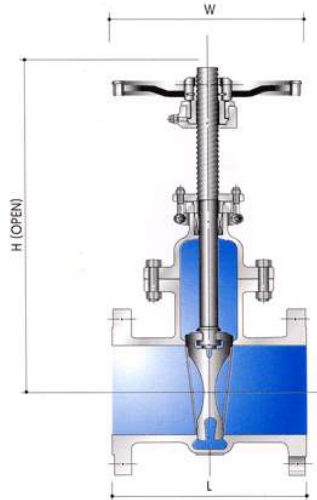


# SW SERIES GATE VALVE



## B, B-OS & Y



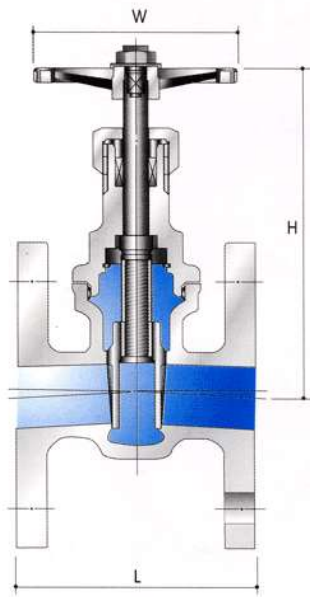
### PARTS OF MATERIAL

Parts Name	VALVE MATERIAL (ANSI)				Parts Name	VALVE MATERIAL (ANSI)			
Body	A351 Gr CF8	A351 Gr CF8M	A351 Gr CF3	A351 Gr CF3M	Wheel Nut	A307 Gr B			
Bonnet	A351 Gr CF8	A351 Gr CF8M	A351 Gr CF3	A351 Gr CF3M	Packing	BRAIDED PTFE FIBER			
Disc	A351 Gr CF8	A351 Gr CF8M	A351 Gr CF3	A351 Gr CF3M	Gasket	NON-ASBESTOS OR PTFE SHEET			
Stem	A276 Type 304	A276 Type 316	A276 Type 304L	A276 Type 316L	Yoke	A351 Gr CF8	A351 Gr CF8M	A351 Gr CF3	A351 Gr CF3M
Yoke Sleeve	A439 Gr D-2C				Yoke Bolt	A193 GR B8			
Sleeve Grand	A276 Type 304	A276 Type 316	A276 Type 304L	A276 Type 316L	Yoke Nut	A194 Gr 8			
Packing Grand	A316 Gr CF8				Set Screw	A283 Gr C			
Gland Ring	A276 Type 304	A276 Type 316	A276 Type 304L	A276 Type 316L	Grease Nipple	B62			
Bonnet Bolt	A193 Gr B8				Name Plate	ALP			
Bonnet Nut	A194 Gr 8				Face To Face	ANSI B 16.10			
Gland Bolt	A276 Type 304				Flange Dimension	ANSI B 16.5			
Grand Nut	A194 Gr 8				Basic Design	API 600, ANSI 16.34			
Gland Pin	A276 Type 304				TEST	API 598			
Hand Wheel	A126 Gr CLB								

Parts Name	VALVE MATERIAL (KS)				Parts Name	VALVE MATERIAL (KS)			
Body	SSC 13	SSC 14	SSC 19	SSC 16	Wheel Nut	SM 20C			
Bonnet	SSC 13	SSC 14	SSC 19	SSC 16	Packing	BRAIDED PTFE FIBER			
Disc	SSC 13	SSC 14	SSC 19	SSC 16	Gasket	NON-ASBESTOS OR PTFE SHEET			
Stem	STS 340	STS 316	STS 304L	STS 316L	Yoke	SSC 13	SSC 14	SSC 19	SSC 16
Yoke Sleeve	GCD 45 OR HBSC 2				Yoke Bolt	STS 304			
Sleeve Grand	STS 304	STS 316	STS 304L	STS 316L	Yoke Nut	STS 304			
Packing Grand	SSC 13				Set Screw	SB 41			
Gland Ring	STS 304	STS 316	STS 304L	STS 316L	Grease Nipple	MBsBE			
Bonnet Bolt	STS 304				Name Plate	ALP			
Bonnet Nut	STS 304				Face To Face	KS B2306			
Gland Bolt	STS 304				Flange Dimension	KS B1511			
Grand Nut	STS 304				Basic Design	KS B2361			
Gland Pin	STS 304				TEST	KS B2304			
Hand Wheel	GC 25								

## Screw Bonnet

### ○ PARTS OF MATERIAL



Description	Material	Specs.
Body	Stainless Steel	SCS 13, 14/CF8, 8M
Bonnet	Stainless Steel	SCS 13, 14/CF8, 8M
Stem	Stainless Steel	304/316
Disc	Stainless Steel	SCS 13, 14/CF8, 8M
Gland	Stainless Steel	304/316
Lock Nut	Stainless Steel	304/316
Gland Packing	PTFE Impregnated asbestos	
Packing Nut	Stainless Steel	CF8 or 304
Hand Wheel		FCD 40
Gasket		PTFE
Name Plate	Aluminum	

### ○ DIMENSION

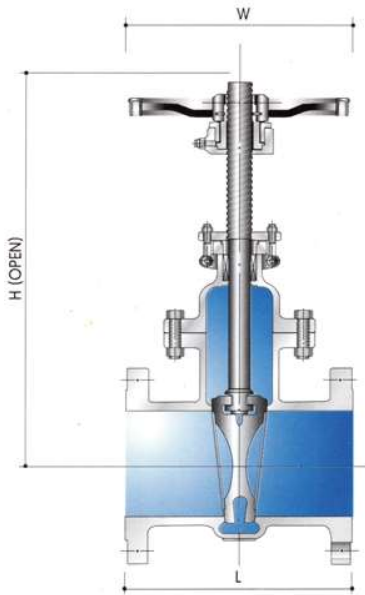
SIZE	15	20	25	32	40	50	65	80	100	단위(mm)
L	86	92	101	110	121	140	171	192	214	
H	122	130	139	147	165	185	232	267	315	
W	80	80	100	121	121	139	153	182	194	

# SW SERIES GATE VALVE



## Gate 600 LB

### ○ PARTS OF MATERIAL



PARTS NAME	MATERIAL
BODY	SCS13.14/CF8.8M
BONNET	SCS13.14/CF8.8M
STEM	STS304/316
DISC	SCS13.14/CF8.8M
GLAND	304.316
GLAND FLANGE	SCS13.14/CF8.8M
GLAND PACKING	TEFLON/GRAPHITE
GASKET	TEFLON/GRAPHITE
YOKE SLSLEEVE	BRONZE.FCD
YOKE	SCS13.14/CF8.8M
HANDWHEEL	FCD
GLAND BOLT/NUT	STS304
BONNET BOLT/NUT	STS304
GRASE NIPPLE	BC6
NAME PLATE	AL

### ○ DIMENSION

Class 600

(Weigh on Request)

SIZE	mm	15	20	25	40	50	65	80	100	125	150	200	250	300	350	400	450	500	600
	inch	1/2	3/4	1	1 1/2	2	2 1/2	3	4	5	6	8	10	12	14	16	18	20	24
L	mm	165	190	216	241	292	330	356	432	508	559	660	787	838	889	991	1092	1194	1397
	inch	6 1/2	7 1/2	8 1/2	9 1/2	11 1/2	13	14	17	20	22	26	31	33	35	39	43	47	55
H (Open)	mm	225	238	347	373	419	457	511	635	756	958	1078	1241	1440	1628	1805	1984	2030	2718
	inch	9.18	9.71	14.16	15.22	16.50	17.99	20.12	25.00	29.76	37.72	42.44	48.86	56.69	60.09	71.06	78.11	79.92	107.00
W	mm	120	120	180	180	200	224	250	355	400	450	500	630	710	800	900	1092	1092	1296
	inch	4.72	4.72	7.09	7.09	7.87	8.82	9.84	13.98	15.75	17.72	19.68	24.80	27.95	31.50	35.43	42.99	42.99	51.02