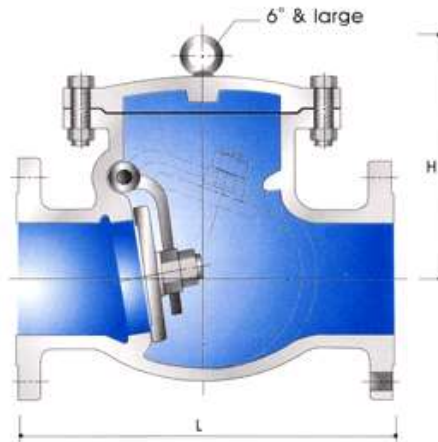


# SW SERIES SWING CHECK VALVE



B, B



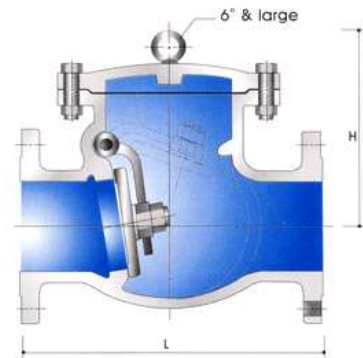
## PARTS OF MATERIAL

Parts Name	VALVE MATERIAL (ANSI)				Parts Name	VALVE MATERIAL (KS)			
Body	A351 Gr CF8	A351 Gr CF8M	A351 Gr CF3	A351 Gr CF3M	y	SSC 13	SSC 14	SSC 19	SSC 16
Cover	A351 Gr CF8	A351 Gr CF8M	A351 Gr CF3	A351 Gr CF3M	Cover	SSC 13	SSC 14	SSC 19	SSC 16
Disc	A351 Gr CF8	A351 Gr CF8M	A351 Gr CF3	A351 Gr CF3M	Disc	SSC 13	SSC 14	SSC 19	SSC 16
Arm	A351 Gr CF8	A351 Gr CF8M	A351 Gr CF3	A351 Gr CF3M	Arm	SSC 13	SSC 14	SSC 19	SSC 16
Disc Nut	A276 Type 304				Disc Nut	STS 304			
Washer	A276 Type 304				Washer	STS 304			
Hinge Pin	A276 Type 304	A276 Type 316	A276 Type 304L	A276 Type 316L	Hinge Pin	STS 304	STS 316	STS 304L	STS 316L
Bonnet Bolt	A194 Gr B8				Bonnet Bolt	STS 304			
Bonnet Nut	A194 Gr B8				Bonnet Nut	STS 304			
Plug	A276 Type 304	A276 Gr316			Plug	STS 304	STS 316	STS 304L	STS 316L
Gasket	NON-ASBESTOS OR PTFE SHEET				Gasket	NON-ASBESTOS OR PTFE SHEET			
Eye Bolt	A182 304				Eye Bolt	STS 304			
Face to Face	ANSI B 16.10				Face to Face	KS B2306			
Flange Dimension	ANSI B 16.5				Flange Dimension	KS B1511			
Basic	API 600, ANSI B16.34				Basic	KS B2361			
Test	API 598				Test	KS B2304			

# SW SERIES SWING CHECK VALVE



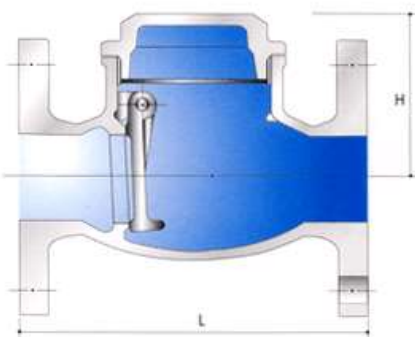
B, B



## PARTS OF MATERIAL

Parts Name	VALVE MATERIAL (ANSI)				Parts Name	VALVE MATERIAL (KS)			
Body	A351 Gr CF8	A351 Gr CF8M	A351 Gr CF3	A351 Gr CF3M	y	SSC 13	SSC 14	SSC 19	SSC 16
Cover	A351 Gr CF8	A351 Gr CF8M	A351 Gr CF3	A351 Gr CF3M	Cover	SSC 13	SSC 14	SSC 19	SSC 16
Disc	A351 Gr CF8	A351 Gr CF8M	A351 Gr CF3	A351 Gr CF3M	Disc	SSC 13	SSC 14	SSC 19	SSC 16
Arm	A351 Gr CF8	A351 Gr CF8M	A351 Gr CF3	A351 Gr CF3M	Arm	SSC 13	SSC 14	SSC 19	SSC 16
Disc Nut	A276 Type 304				Disc Nut	STS 304			
Washer	A276 Type 304				Washer	STS 304			
Hinge Pin	A276 Type 304	A276 Type 316	A276 Type 304L	A276 Type 316L	Hinge Pin	STS 304	STS 316	STS 304L	STS 316L
Bonnet Bolt	A194 Gr B8				Bonnet Bolt	STS 304			
Bonnet Nut	A194 Gr B8				Bonnet Nut	STS 304			
Plug	A276 Type 304	A276 Gr316			Plug	STS 304	STS 316	STS 304L	STS 316L
Gasket	NON-ASBESTOS OR PTFE SHEET				Gasket	NON-ASBESTOS OR PTFE SHEET			
Eye Bolt	A182 304				Eye Bolt	STS 304			
Face to Face	ANSI B 16.10				Face to Face	KS B2306			
Flange Dimension	ANSI B 16.5				Flange Dimension	KS B1511			
Basic	API 600, ANSI B16.34				Basic	KS B2361			
Test	API 598				Test	KS B2304			

## Screw Bonnet



## PARTS OF MATERIAL

DESCRIPTION	MATERIAL
BODY	SCS13,14
CAP	SCS13,14
DISC	SCS13,14
HINGE PIN	304 / 316
GASKET	Teflon

## DIMENSION

SIZE	15	20	25	32	40	50	65	80
L	85	95	112	136	148	181	205	241
H	50	60	60	75	80	85	115	130

단위(mm)