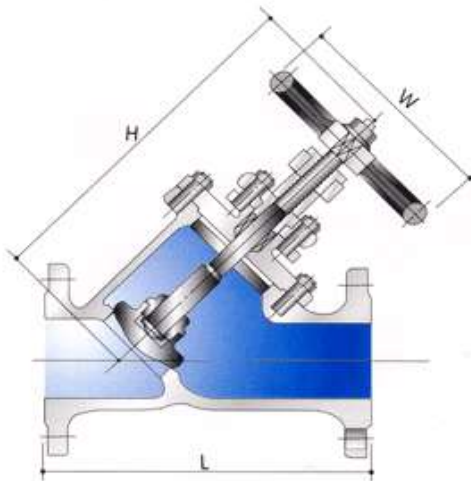


Y-Globe Valve



○ PARTS OF MATERIAL

Description	Material	Specs.
Body	Stainless Steel	SCS13,14, CF8, 8M
Bonnet	Stainless Steel	SCS13,14, CF8, 8M
Disc	Stainless Steel	SCS13,14, CF8, 8M
Stem	Stainless Steel	SCS13,14, CF8, 8M
Disc Gland	Stainless Steel	SCS13,14, CF8, 8M
Gland Flange	Stainless Steel	SCS 13
Yoke Bush	Stainless Steel	HB ₅ C ₂ , A439, D2C
Bonnet Bolt & Nut	Stainless Steel	SUS 304
Gland Bolt	Stainless Steel	SUS 304
Set Screw	Stainless Steel	SUS 304
Hand Wheel	Stainless Steel	FCD40
Wheel Nut	Stainless Steel	SUS 304
Name Plate	Al	
Packing	Asbestos+Teflon	Rainforced Teflon
Gasket	Teflon	Rainforced Teflon

○ DIMENSION

10k-150LB

단위(mm)

SIZE	25	40	50	65	80	100	125	150	200	250	300
L	160	190	210	270	295	370	400	470	565	675	797
H	130	145	170	205	220	275	305	330	440	650	750